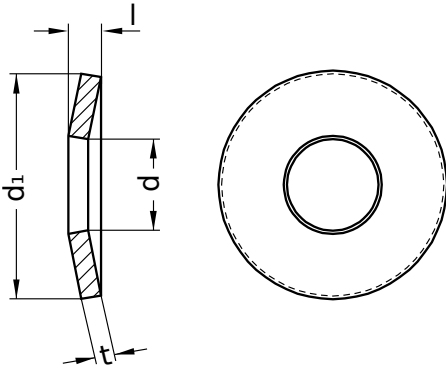


DIN 2093 C
Disc springs

Series C

Stainless steel A2 | Cr(VI)-free



Diameter (d)	d ₁ nominal size	t nominal size	Length (l) nominal size
12.2	25	0.7	1.6
20.4	40	1.0	2.3

All technical data refer to the measure mm

