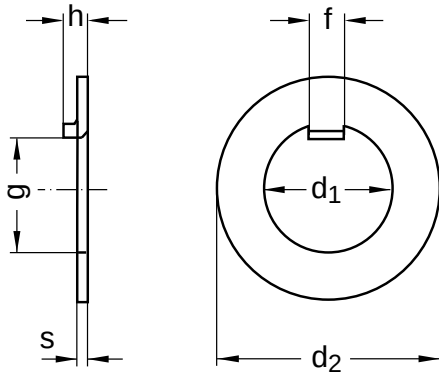


DIN 462

Tab washers

With internal tab | for round nuts DIN 1804

Steel | bright | Cr(VI)-free



Diameter (d)	d ₁ nominal size	d ₂ nominal size	f nominal size	g nominal size	h nominal size	s nominal size
8	8	20	3	5.9	2.5	0.8
10	10	25	4	7.4	3.0	0.8
12	12	28	5	9.3	3.0	0.8
14	14	30	5	11.4	3.0	0.8
16	16	32	5	13.5	3.0	1.0
18	18	34	6	15.4	4.0	1.0
20	20	36	6	17.5	4.0	1.0
22	22	40	6	19.5	4.0	1.0
24	24	42	6	21.6	4.0	1.0
26	26	45	7	23.5	5.0	1.0
28	28	50	7	25.5	5.0	1.0
30	30	50	7	27.5	5.0	1.2
32	32	52	7	29.6	5.0	1.2
35	35	55	7	32.6	5.0	1.2
38	38	58	8	35.3	5.0	1.2
42	42	62	8	39.3	5.0	1.2
45	45	68	8	42.4	5.0	1.2
48	48	75	8	45.4	5.0	1.2
50	50	75	8	47.4	5.0	1.2
52	52	80	10	49.3	6.0	1.2
55	55	80	10	52.3	6.0	1.2
58	58	90	10	55.3	6.0	1.5
60	60	90	10	57.3	6.0	1.5
62	62	95	10	59.3	6.0	1.5
65	65	95	10	62.4	6.0	1.5
68	68	100	10	65.4	6.0	1.5
70	70	100	10	67.4	6.0	1.5
72	72	110	10	68.9	7.0	1.5
75	75	110	10	71.9	7.0	1.5
90	90	130	10	86.9	7.0	1.5

All technical data refer to the measure mm

