

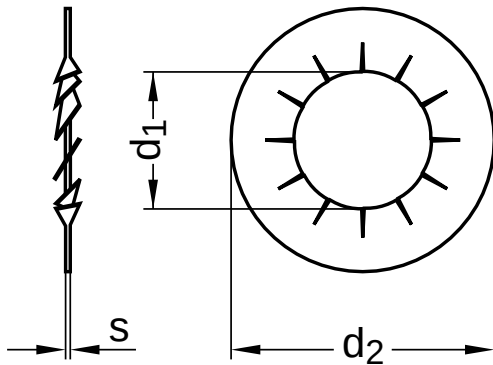
DIN 6798 I

Serrated lock washers

Form I: internally toothed

Spring steel | zinc-plated | Cr(VI)-free

Further information: Norm has been withdrawn without replacement



| Diameter (d) | d ₁ | | d ₂ | | s nominal size |
|-----------------|----------------|-------|----------------|------|-------------------|
| | min. | max. | min. | max. | |
| 2.7 | 2.7 | 2.84 | 5.20 | 5.5 | 0.4 |
| 3.2 | 3.2 | 3.38 | 5.70 | 6.0 | 0.4 |
| 3.7 | 3.7 | 3.88 | 6.64 | 7.0 | 0.5 |
| 4.3 | 4.3 | 4.48 | 7.64 | 8.0 | 0.5 |
| 5.3 | 5.3 | 5.48 | 9.64 | 10.0 | 0.6 |
| 6.4 | 6.4 | 6.62 | 10.57 | 11.0 | 0.7 |
| 8.4 | 8.4 | 8.62 | 14.57 | 15.0 | 0.8 |
| 10.5 | 10.5 | 10.77 | 17.57 | 18.0 | 0.9 |
| 13 | 13.0 | 13.27 | 19.98 | 20.5 | 1.0 |
| 15 | 15.0 | 15.27 | 23.48 | 24.0 | 1.0 |
| 17 | 17.0 | 17.27 | 25.48 | 26.0 | 1.2 |
| 19 | 19.0 | 19.33 | 29.48 | 30.0 | 1.4 |
| 21 | 21.0 | 21.33 | 32.38 | 33.0 | 1.4 |
| 25 | 25.0 | 25.33 | 37.38 | 38.0 | 1.5 |

All technical data refer to the measure mm

