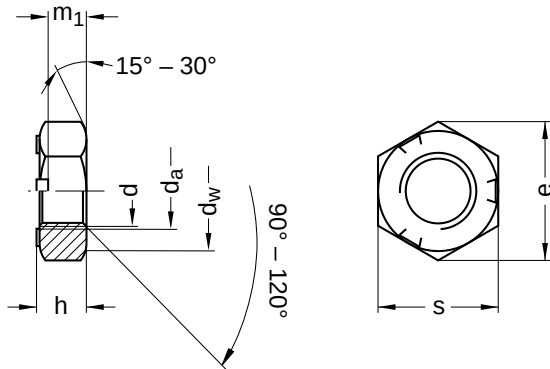


DIN 6925 similar to ISO 7042

Hexagon nuts

With clamping part | all-metal

Steel 8 | zinc-plated | Cr(VI)-free | Metric thread



Diameter (d)	da		dw	h		m ₁	e	s		Pitch (P)	Tool size
	min.	max.		min.	max.			min.	max.		
M4	4	4.60	5.9	3.9	4.2	2.20	7.66	6.78	7	0.70	SW 7
M5	5	5.75	6.9	4.8	5.1	2.75	8.79	7.78	8	0.80	SW 8
M6	6	6.75	8.9	5.7	6.0	3.30	11.05	9.78	10	1.00	SW 10
M8	8	8.75	11.6	7.5	8.0	4.40	14.38	12.73	13	1.25	SW 13
M10	10	10.80	14.6	9.0	10.0	5.50	17.77	15.73	16	1.50	SW 16
M12	12	13.00	16.6	11.0	12.0	6.60	20.03	17.73	18	1.75	SW 18
M14	14	15.10	19.6	12.0	14.0	7.70	23.35	20.67	21	2.00	SW 21
M16	16	17.30	22.5	14.0	16.0	8.80	26.75	23.67	24	2.00	SW 24
M20	20	21.60	27.7	18.0	20.0	11.00	32.95	29.16	30	2.50	SW 30
M24	24	25.90	33.2	22.0	24.0	13.20	39.55	35.00	36	3.00	SW 36
M30	30	32.40	42.7	28.0	30.0	16.50	50.85	45.00	46	3.50	SW 46

All technical data refer to the measure mm

