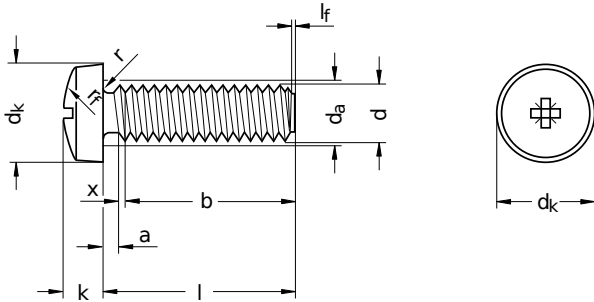


DIN 7500 C

Thread rolling screws

Form C: button head according to DIN EN ISO 7045 | cross-slot pozidriv

Steel | zinc-plated | Cr(VI)-free | Self-tapping thread



lf = Furchbereich

Diameter (d)	a max.	b min.	da max.	nominal size			k			rf	r min.	Pitch (P)	x max.	Tool size
				nominal size	min.	max.	nominal size	min.	max.					
M2.5	0.9	25	3.1	5.0	4.70	5.0	2.1	1.96	2.1	4.0	0.10	0.45	1.10	Z1
M3	1.0	25	3.6	5.6	5.30	5.6	2.4	2.26	2.4	5.0	0.10	0.50	1.25	Z1
M3.5	1.2	38	4.1	7.0	6.64	7.0	2.6	2.46	2.6	6.0	0.10	0.60	1.50	Z2
M4	1.4	38	4.7	8.0	7.64	8.0	3.1	2.92	3.1	6.5	0.20	0.70	1.75	Z2
M5	1.6	38	5.7	9.5	9.14	9.5	3.7	3.52	3.7	8.0	0.20	0.80	2.00	Z2
M6	2.0	38	6.8	12.0	11.57	12.0	4.6	4.30	4.6	10.0	0.25	1.00	2.50	Z3

nominal size	Length (l)	
	min.	max.
4	3.76	4.24
5	4.76	5.24
6	5.76	6.24
8	7.71	8.29
10	9.71	10.29
12	11.65	12.35
14	13.65	14.35
16	15.65	16.35

nominal size	Length (l)	
	min.	max.
20	19.58	20.42
25	24.58	25.42
30	29.58	30.42
35	34.50	35.50
40	39.50	40.50
45	44.50	45.50

Diameter (d)	Length (l)													
	4	5	6	8	10	12	14	16	20	25	30	35	40	45
M2.5	●	●	●	●	●									
M3		●	●	●	●	●	●	●	●	●	●	●	●	
M3.5			●		●									
M4			●	●	●	●	●	●	●	●	●	●	●	●
M5			●	●	●	●	●	●	●	●	●	●	●	●
M6				●	●	●	●	●	●	●	●	●	●	●

● Combinations available in the eShop | Other sizes on request

All technical data refer to the measure mm

