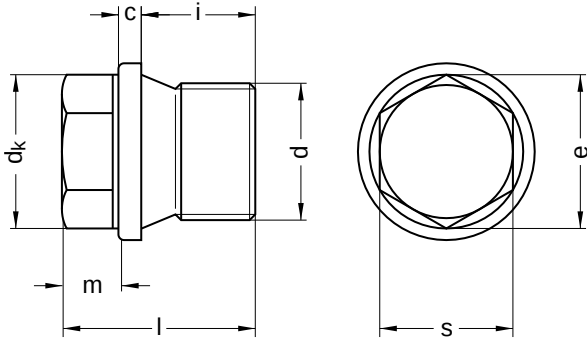


DIN 910
Locking screws

Hexagon head with flange

Steel | bright | Cr(VI)-free | Cylindrical metric fine thread



Diameter (d)	c		d _k nominal size	i	m nominal size	e min.	s nominal size	Pitch (P)	Tool size
	nominal size	max.							
M10 x 1	3	3.5	14	8	6	10.89	10	1.0	SW 10
M12 x 1.5	3	3.5	17	12	6	14.20	13	1.5	SW 13
M14 x 1.5	3	3.5	19	12	6	14.20	13	1.5	SW 13
M16 x 1.5	3	3.5	21	12	6	17.59	16	1.5	SW 17
M18 x 1.5	4	4.5	23	12	8	17.59	16	1.5	SW 17
M20 x 1.5	4	4.5	25	14	8	19.85	18	1.5	SW 19
M22 x 1.5	4	4.5	27	14	8	19.85	18	1.5	SW 19
M24 x 1.5	4	4.5	29	14	9	22.78	21	1.5	SW 22
M26 x 1.5	4	4.5	31	16	10	26.17	24	1.5	SW 24
M27 x 2	4	4.5	32	16	10	26.17	24	2.0	SW 24
M30 x 1.5	4	4.5	36	16	10	26.17	24	1.5	SW 24
M33 x 2	5	5.5	39	16	11	29.56	27	2.0	SW 27
M36 x 1.5	5	5.5	42	16	11	29.56	27	1.5	SW 27
M36 x 2	5	5.5	42	16	11	29.56	27	2.0	SW 27
M38 x 1.5	5	5.5	44	16	11	29.56	27	1.5	SW 27
M42 x 1.5	5	5.5	49	16	12	32.95	30	1.5	SW 30
M42 x 2	5	5.5	49	16	12	32.95	30	2.0	SW 30
M45 x 1.5	5	5.5	52	16	12	32.95	30	1.5	SW 30
M45 x 2	5	5.5	52	16	12	32.95	30	2.0	SW 30
M48 x 1.5	5	5.5	55	16	12	32.95	30	1.5	SW 30
M48 x 2	5	5.5	55	16	12	32.95	30	2.0	SW 30
M52 x 1.5	5	5.5	60	16	12	32.95	30	1.5	SW 30
M52 x 2	5	5.5	60	16	12	32.95	30	2.0	SW 30
M64 x 2	5	5.5	72	20	15	39.55	36	2.0	SW 36

All technical data refer to the measure mm



DIN 910
Locking screws

Hexagon head with flange

Steel | bright | Cr(VI)-free | Cylindrical metric fine thread

Length (l) nominal size
17
21
24
26
27
30

Length (l) nominal size
32
33
40

Diameter (d)	Length (l)									
	17	21	24	26	27	30	32	33	40	
M10 x 1	●									
M12 x 1.5		●								
M14 x 1.5		●								
M16 x 1.5		●								
M18 x 1.5			●							
M20 x 1.5				●						
M22 x 1.5				●						
M24 x 1.5					●					
M26 x 1.5						●				
M27 x 2						●				
M30 x 1.5						●				
M33 x 2							●			
M36 x 1.5							●			
M36 x 2							●			
M38 x 1.5							●			
M42 x 1.5								●		
M42 x 2								●		
M45 x 1.5								●		
M45 x 2								●		
M48 x 1.5								●		
M48 x 2								●		
M52 x 1.5								●		
M52 x 2								●		
M64 x 2									●	

• Combinations available in the eShop | Other sizes on request

All technical data refer to the measure mm

