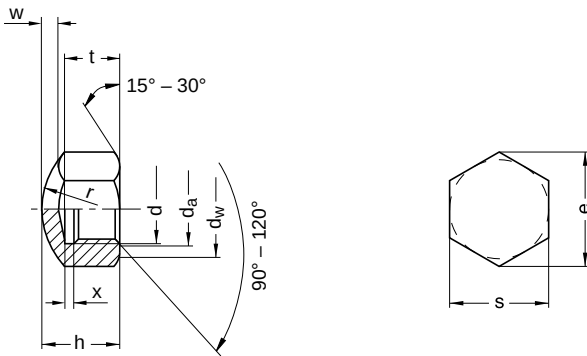


DIN 917
Hexagon cap nuts

Low form | turned

Steel 06 AU | bright | Cr(VI)-free | Metric thread

Further information: All cap nuts up to M10 comply with DIN with thread groove or recess, with recess from M12.



Diameter (d)	d _a		d _w	h		e	r	s		Pitch (P)	t		w	x	Tool size
	min.	max.		min.	max.			min.	max.		max.	min.			
M4	4	4.60	5.9	5.20	5.5	7.66	8	6.78	7	0.70	4.64	4.16	1.0	1.05	SW 7
M5	5	5.75	6.9	6.64	7.0	8.79	10	7.78	8	0.80	5.44	4.96	1.0	1.20	SW 8
M6	6	6.75	8.9	8.64	9.0	11.05	12	9.78	10	1.00	7.29	6.71	1.5	1.50	SW 10
M8	8	8.75	11.6	11.57	12.0	14.38	15	12.73	13	1.25	9.79	9.21	2.0	1.87	SW 13
M10	10	10.80	14.6	13.57	14.0	17.77	20	15.73	16	1.50	11.35	10.65	2.0	2.25	SW 16
M12	12	13.00	16.6	15.57	16.0	20.03	25	17.73	18	1.75	13.85	13.15	2.0	–	SW 18
M14	14	15.10	19.6	17.57	18.0	23.35	28	20.67	21	2.00	15.35	14.65	2.0	–	SW 21
M16	16	17.30	22.5	19.48	20.0	26.75	30	23.67	24	2.00	17.35	16.65	2.0	–	SW 24
M20	20	21.60	27.7	24.48	25.0	32.95	35	29.16	30	2.50	21.42	20.58	2.5	–	SW 30
M24	24	25.90	33.3	29.48	30.0	39.55	40	35.00	36	3.00	24.42	23.58	3.0	–	SW 36

All technical data refer to the measure mm

