

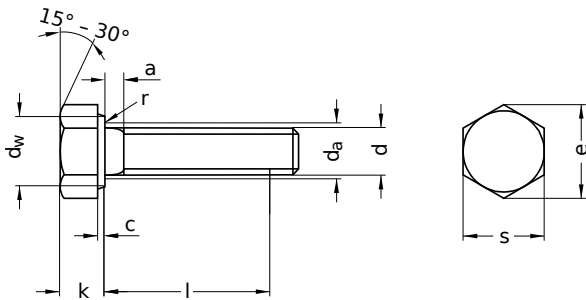
**DIN 961** similar to ISO 8676

## Hexagon head bolts

Hexagon head | fully threaded

Steel 10.9 | bright | Cr(VI)-free | Metric fine thread

Further information: DIN-standard has been withdrawn | changed spanner widths for M10, M12, M14 and M22



Diameter (d)	a max.	c		d <sub>a</sub> max.	d <sub>w</sub> min.	e min.	k			r min.	s		Pitch (P)	Tool size
		min.	max.				nominal size	min.	max.		max.	min.		
M8 x 1	3.00	0.15	0.6	9.2	11.4	14.20	5.3	5.06	5.54	0.4	13	12.57	1.00	SW 13
M10 x 1	3.75	0.15	0.6	11.2	15.4	18.72	6.4	6.11	6.69	0.4	17	16.57	1.00	SW 17
M10 x 1.25	3.75	0.15	0.6	11.2	15.4	18.72	6.4	6.11	6.69	0.4	17	16.57	1.25	SW 17
M10 x 1.25	3.75	0.15	0.6	11.2	15.4	18.72	6.4	6.11	6.69	0.4	17	16.57	1.25	SW 17
M12 x 1.25	4.50	0.15	0.6	13.7	17.2	20.88	7.5	7.21	7.79	0.6	19	18.48	1.25	SW 19
M12 x 1.5	4.50	0.15	0.6	13.7	17.2	20.88	7.5	7.21	7.79	0.6	19	18.48	1.50	SW 19
M12 x 1.25	4.50	0.15	0.6	13.7	17.2	20.88	7.5	7.21	7.79	0.6	19	18.48	1.25	SW 19
M12 x 1.5	4.50	0.15	0.6	13.7	17.2	20.88	7.5	7.21	7.79	0.6	19	18.48	1.50	SW 19
M14 x 1.5	4.50	0.15	0.6	15.7	20.1	23.91	8.8	8.51	9.09	0.6	22	21.16	1.50	SW 22
M16 x 1.5	4.50	0.20	0.8	17.7	22.0	26.17	10.0	9.71	10.29	0.6	24	23.16	1.50	SW 24
M18 x 1.5	6.00	0.20	0.8	20.2	24.8	29.56	11.5	11.15	11.85	0.6	27	26.16	1.50	SW 27
M18 x 1.5	6.00	0.20	0.8	20.2	24.8	29.56	11.5	11.15	11.85	0.6	27	26.16	1.50	SW 27
M20 x 1.5	6.00	0.20	0.8	22.4	27.7	32.95	12.5	12.15	12.85	0.8	30	29.16	1.50	SW 30
M22 x 1.5	6.00	0.20	0.8	24.4	29.5	35.03	14.0	13.65	14.35	0.8	32	31.00	1.50	SW 32
M24 x 1.5	6.00	0.20	0.8	26.4	33.2	39.55	15.0	14.65	15.35	0.8	36	35.00	1.50	SW 36
M24 x 2	6.00	0.20	0.8	26.4	33.2	39.55	15.0	14.65	15.35	0.8	36	35.00	2.00	SW 36

nominal size	Length (l)	
	min.	max.
20	19.58	20.42
25	24.58	25.42
30	29.58	30.42
35	34.50	35.50
40	39.50	40.50
45	44.50	45.50

nominal size	Length (l)	
	min.	max.
50	49.50	50.50
55	54.40	55.60
60	59.40	60.60
65	64.40	65.60
70	69.40	70.60
80	79.40	80.60

nominal size	Length (l)	
	min.	max.
90	88.25	91.75
100	98.25	101.75

All technical data refer to the measure mm



**DIN 961** similar to ISO 8676

## Hexagon head bolts

Hexagon head | fully threaded

Steel 10.9 | bright | Cr(VI)-free | Metric fine thread

Diameter (d)	Length (l)													
	20	25	30	35	40	45	50	55	60	65	70	80	90	100
M8 x 1	●	●		●	●									
M10 x 1	●	●	●	●	●	●	●							
M10 x 1.25	●													
M10 x 1.25			●	●	●	●	●							
M12 x 1.25		●									●			
M12 x 1.5														●
M12 x 1.25	●	●	●	●	●	●	●		●					
M12 x 1.5	●	●	●	●	●	●	●		●					
M14 x 1.5		●	●	●	●	●	●	●			●	●		
M16 x 1.5			●	●	●	●	●	●	●	●	●	●	●	●
M18 x 1.5						●	●				●			
M18 x 1.5			●	●	●	●	●		●					
M20 x 1.5				●	●	●	●	●	●	●	●	●	●	●
M22 x 1.5									●		●			
M24 x 1.5							●		●		●	●		
M24 x 2									●					

• Combinations available in the eShop | Other sizes on request

All technical data refer to the measure mm

