

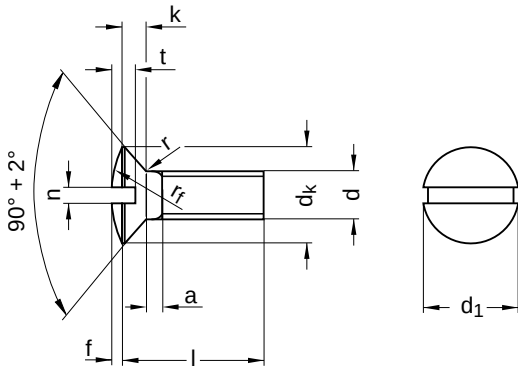
DIN 964 similar to ISO 2010

Raised countersunk head screws

With slot | Form A

Stainless steel A2 | Cr(VI)-free | Metric thread

Further information: DIN standard has been withdrawn



Diameter (d)	a max.	dk		f	k max.	nominal size	n		rf	r max.	Pitch (P)	t	
		min.	max.				min.	max.				max.	min.
M2	0.8	3.50	3.8	0.50	1.20	0.5	0.56	0.70	4	0.20	0.40	1.00	0.8
M2.5	0.9	4.40	4.7	0.60	1.50	0.6	0.66	0.80	5	0.25	0.45	1.20	1.0
M3	1.0	5.30	5.6	0.75	1.65	0.8	0.86	1.00	6	0.30	0.50	1.45	1.2
M4	1.4	7.14	7.5	1.00	2.20	1.0	1.06	1.20	8	0.40	0.70	1.90	1.6
M5	1.6	8.84	9.2	2.50	1.25	1.2	1.26	1.51	10	0.50	0.80	2.30	2.0
M6	2.0	10.57	11.0	3.00	1.50	1.6	1.66	1.91	12	0.60	1.00	2.80	2.4
M8	2.5	14.07	14.5	4.00	2.00	2.0	2.06	2.31	16	0.80	1.25	3.70	3.2
M10	3.0	17.50	18.0	5.00	2.50	2.5	2.56	2.81	20	1.00	1.50	4.60	4.0

nominal size	Length (l)	
	min.	max.
5	4.76	5.24
6	5.76	6.24
8	7.70	8.30
10	9.70	10.30
12	11.65	12.35
14	13.65	14.35
16	15.65	16.35
18	17.65	18.35
20	19.60	20.40
25	24.60	25.40

nominal size	Length (l)	
	min.	max.
30	29.60	30.40
35	34.50	35.50
40	39.50	40.50
45	44.50	45.50
50	49.50	50.50
60	59.40	60.60
70	69.40	70.60
80	79.40	80.60

All technical data refer to the measure mm



DIN 964 similar to ISO 2010

Raised countersunk head screws

With slot | Form A

Stainless steel A2 | Cr(VI)-free | Metric thread

Diameter (d)	Length (l)																	
	5	6	8	10	12	14	16	18	20	25	30	35	40	45	50	60	70	80
M2		●	●	●	●		●											
M2.5	●	●	●	●	●		●		●	●								
M3	●		●		●	●	●	●	●	●								
M4		●	●	●	●	●	●	●	●	●	●	●	●					
M5		●		●	●	●	●	●	●	●	●		●	●	●			
M6			●	●	●		●		●	●	●	●	●	●	●	●	●	●
M8					●	●	●		●		●	●	●	●	●			
M10									●	●		●	●	●	●	●		

• Combinations available in the eShop | Other sizes on request

All technical data refer to the measure mm

