

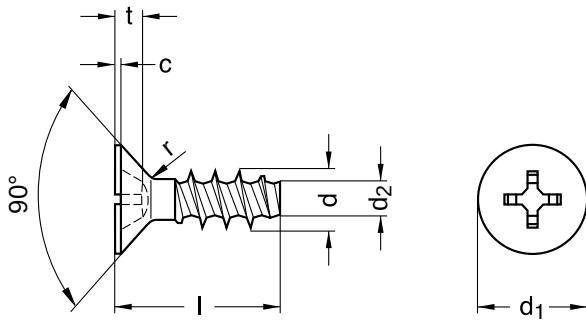
E 1413
EJOT®-PT screws

Senkkopf | Kreuzschlitz Z (Pozidriv)

Stainless steel A2 | Cr(VI)-free | Self-tapping thread

Further information: For further information and CAD-files please follow the link to the EJOT-homepage:

<http://www.ejot.com/industry>



Diameter (d)	c max.	d ₁ nominal size	d ₂ nominal size	r nominal size	Pitch (P)	t	
						max.	min.
2.2	0.35	3.8	1.25	Verstärkungskegel	0.98	1.25	0.95
2.5	0.35	4.7	1.4	1	1.12	1.25	0.95
3	0.55	5.5	1.66	1.2	1.34	1.56	1.10
3.5	0.65	7.3	1.91	1.4	1.57	1.96	1.33

Length (l) nominal size
6
7

Length (l) nominal size
8
10
12

Diameter (d)	Length (l)				
	6	7	8	10	12
2.2	●		●		
2.5		●			
3		●	●		●
3.5				●	

• Combinations available in the eShop | Other sizes on request

All technical data refer to the measure mm

