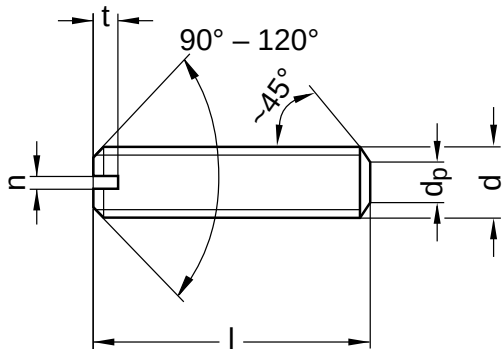


ISO 4766 similar to DIN 551

Set screws

With slot and chamfer end

Stainless steel A4 | Cr(VI)-free | Metric thread



Diameter (d)	d _p		nominal size	n		Pitch (P)	t	
	min.	max.		min.	max.		max.	min.
M6	3.7	4.0	1.0	1.06	1.20	1.00	2.0	1.6
M8	5.2	5.5	1.2	1.26	1.51	1.25	2.5	2.0

nominal size	Length (l)	
	min.	max.
6	5.7	6.3
16	15.6	16.4

Diameter (d)	Length (l)	
	6	16
M6	●	
M8		●

• Combinations available in the eShop | Other sizes on request

All technical data refer to the measure mm

