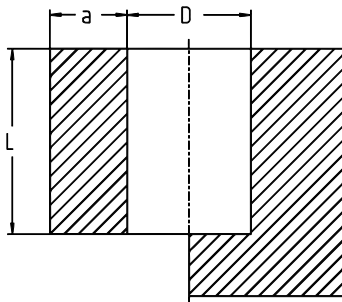


SPREDSERT® 2

Brass | Type 0837 | knurled

Advantages:

- For thermoset parts
- Knurled flange and diamond knurl ensure high degree of security against twisting and tensile load
- Screw locking



| Diameter (d) | Article number | Pitch (P) | Length (l) nominal size | a min. | Outer diameter (d2) | L min. |
|--------------|----------------|-----------|-------------------------|--------|---------------------|--------|
| M 3 | 08371030005 | 0.5 | 5.0 | 3.0 | 4.3 | 5.5 |
| M 3.5 | 08371350064 | 0.6 | 6.4 | 3.3 | 5.1 | 7.0 |
| M 4 | 08371040008 | 0.7 | 8.0 | 3.5 | 6 | 8.5 |
| M 5 | 08371050095 | 0.8 | 9.5 | 4.0 | 6.8 | 10.0 |
| M 6 | 08371060127 | 1.0 | 12.7 | 5.0 | 8.4 | 13.5 |

All technical data refer to the measure mm

